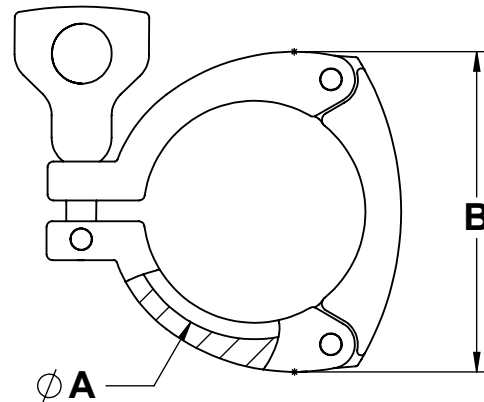
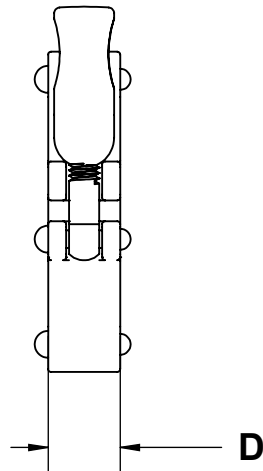
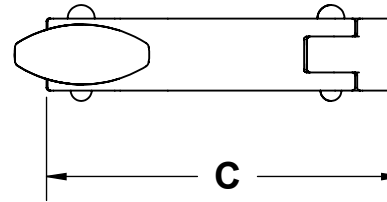


SIZE	UNITS	A	B	C	D
13MHHM-3P100150	IN	2.1	2.9	3.3	0.8
13MHHM-3P100150	MM	54	73	83	19
13MHHM-3P200	IN	2.7	3.4	3.7	0.8
13MHHM-3P200	MM	67	86	95	19
13MHHM-3P250	IN	3.2	3.9	4.3	0.8
13MHHM-3P250	MM	81	98	110	19
13MHHM-3P300	IN	3.7	4.4	5.0	0.8
13MHHM-3P300	MM	94	113	127	19
13MHHM-3P400	IN	4.8	5.4	6.1	0.8
13MHHM-3P400	MM	122	138	155	19



The Right Connection™

**PROPRIETARY AND CONFIDENTIAL**

This drawing is owned by Dixon Valve & Coupling Co. and shall be returned upon demand. It is loaned on condition that it shall not be copied or reproduced or submitted to others without the owners consent. In accepting it subject to this condition the recipient further agrees that this drawing or any design detail or concept disclosed herein shall not be used in any way detrimental to or in competition with the owner. If the recipient does not agree to the terms of this agreement they shall return this drawing immediately. The information contained in this drawing is subject to change without notice.

**DO NOT SCALE THIS DRAWING**

**DIXON**  **U.S.A.**

THE RIGHT CONNECTION™

DESCRIPTION:

THREE SEGMENT CLAMP

MATERIAL(S):

PART NUMBER:

**13MHHM-3P**